



Paving Block SPLITTER



MINIPAVE

'Built for the job' – fast, accurate
and easy splitting of paving blocks.

You can carry
it with one
hand and it
works where you are
- at ground level.



MINIPAVE

Block Paving Splitter

The first dedicated block paving splitter with the capacity for quick and accurate cutting of concrete and clay pavers.

Before the Minipave, professional and DIY users had to use heavy and cumbersome machines. The easy to handle Minipave gives a fast, effective and portable alternative.

The unique cutting action combines the power of a long lever with a cam to give a slicing action for a straighter, smoother cut.



ADJUST TO BLOCK SIZE



LIFT TO INSERT NEXT BLOCK



EASY TRANSPORTATION

Minipave will make a real difference to anyone laying block paving.

■ Safe and simple operation – Makes beginners into experts

■ Works at floor level – Faster working, no need to stand up to cut

■ Straight and accurate cutting – Less wastage

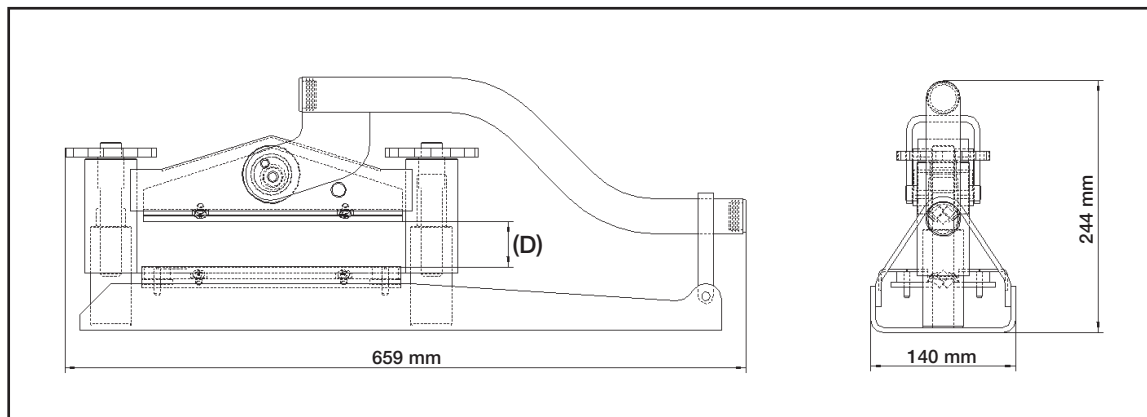
■ Four edge blade – Increased expendable life

■ Composite bearings – Maintenance free operation

■ Compact size – Helps transportation and storage

■ Lightweight – Easy to handle

■ Heavy duty construction – For the reliable service life you expect from Belle



MINIPAVE		
Cut Force	3200kg	31.4 kN
Blade Type	2 off 6mm Square Section - 250 mm long	
Cam Movement	Block Clearance 3mm - Cutting 2mm	
Adjustment Screws	Fast acting Trapezoidal - Movement 40mm	
Block Depth (D)	Max 80mm - Min 50mm	
Weight	18kg	

